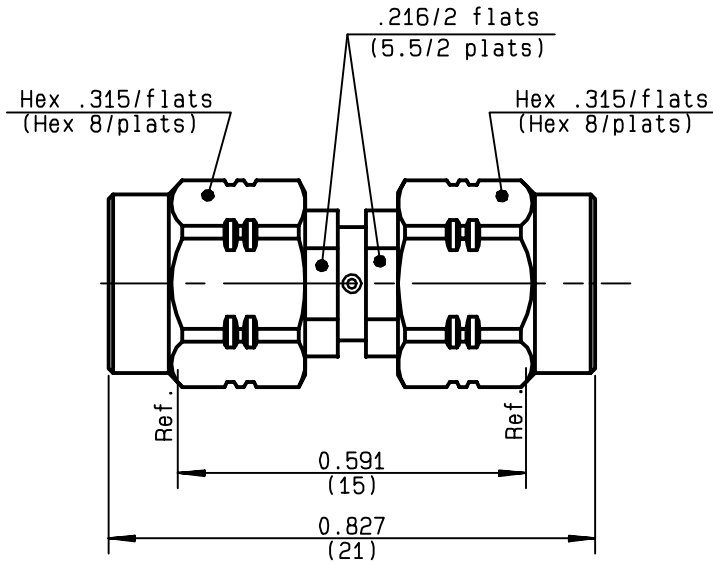


**MALE MALE ADAPTOR**

**R124.703.003**  
**SERIES SMA-COM**



NOMINAL IMPEDANCE	<b>50</b> Ω	CABLES :	
FREQUENCY RANGE	<b>0-18</b> GHz		
TEMPERATURE RATING	<b>-65/+165</b> °C		
V.S.W.R	<b>1.05 + .005 x F(GHz)Maxi</b>		
RF INSERTION LOSS	<b>0.05</b> √F(GHz) dB Maxi		
VOLTAGE RATING	<b>500</b> Veff Maxi		
DIELECTRIC WITHSTANDING VOLTAGE	<b>1000</b> Veff Mini		
INSULATION RESISTANCE	<b>5000</b> MΩMini	OTHERS CHARACTERISTICS	
HERMETIC SEAL	<b>NA</b> Atm.cm <sup>3</sup> /s	CABLE RETENTION	<b>NA</b> N Mini
LEAKAGE (pressurized only)	<b>NA</b>	CENTER CONTACT RETENTION	
MECHANICAL DURABILITY	<b>100</b> Cycles	Axial force - mating end	<b>27</b> N Mini
WEIGHT	<b>5</b> gr	Axial force - opposite end	<b>27</b> N Mini
SPECIFICATION		Torque	<b>2.8</b> cm.N Mini
		RECOMMENDED TORQUES	
		Mating	<b>60</b> cm.N
		Panel nut	<b>NA</b> cm.N
		Clamp nut	<b>NA</b> cm.N

CONNECTOR PARTS	MATERIALS	FINISH	(all values are given ) in micrometers
BODY	BRASS	GOLD 0.2 OVER NICKEL 2	
OUTER CONTACT			
CENTER CONTACT	BRASS	GOLD 1.3 OVER COPPER 2.5	
INSULATOR	PTFE	-	
GASKET	SILICONE RUBBER	-	
OTHERS PIECES	BRASS	GOLD 0.2 OVER NICKEL 2	

ISSUE	CREATION DATE	FILE PART-NUMBER
<b>9901A00</b>	<b>17/07/1996</b>	<b>96-1200-078</b>



**RADIALL®**

*Connect to the future*

The information given here is subject to change without notice.  
 Design changes may be in order to improve the product .

TRIQUES